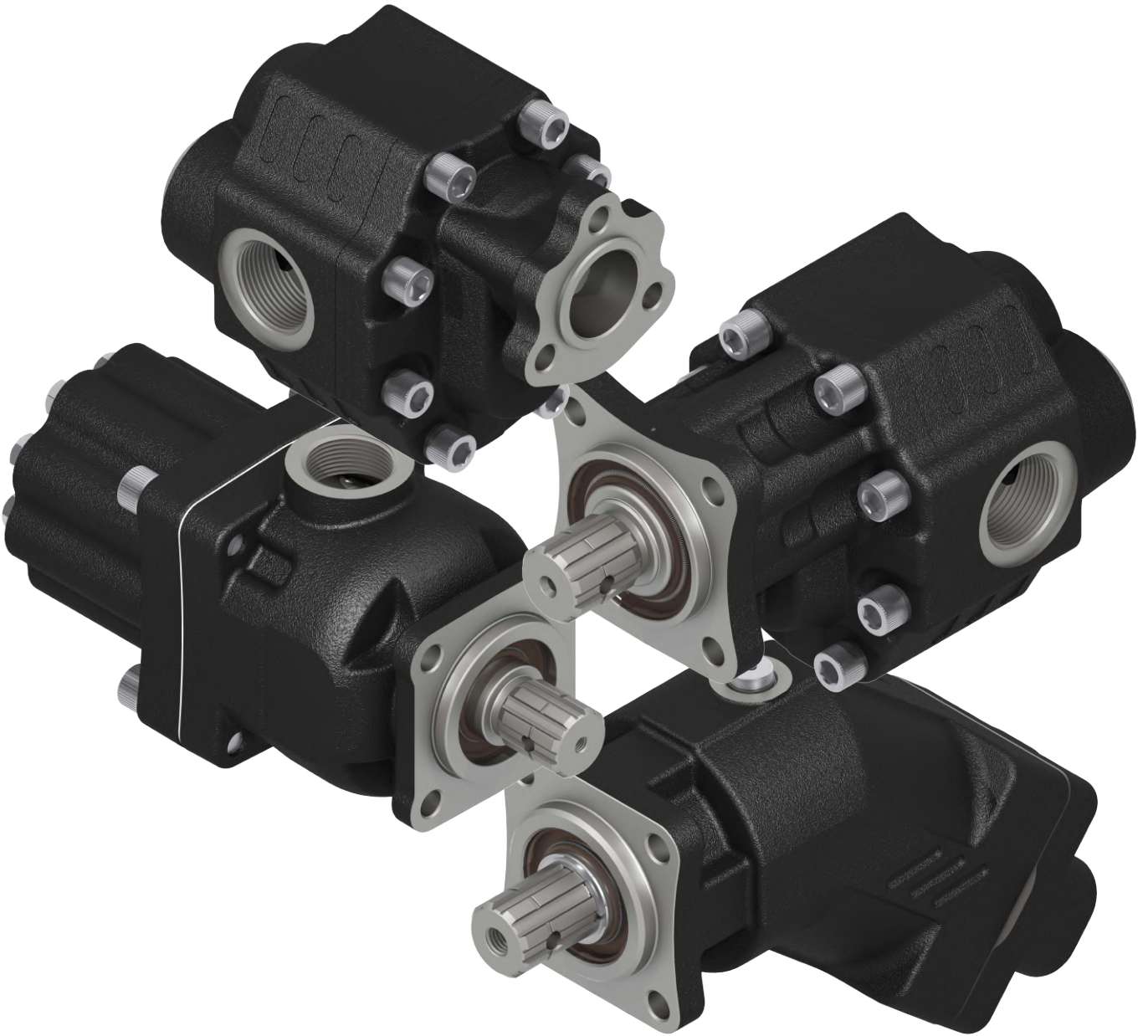
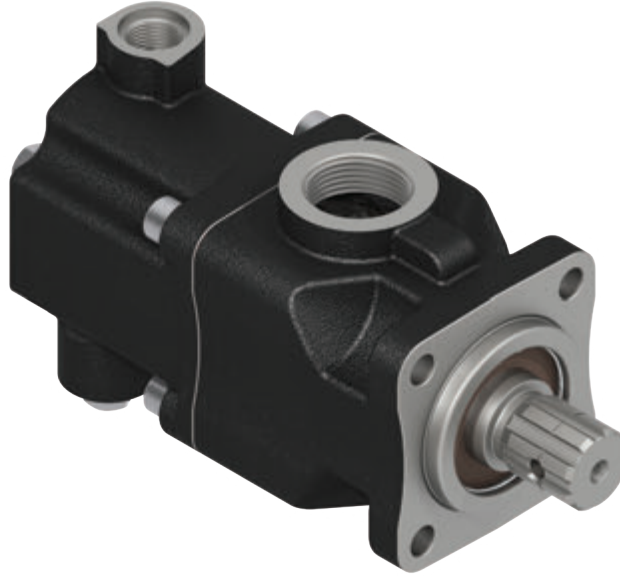


HYDRAULIC PUMP CATALOGUE

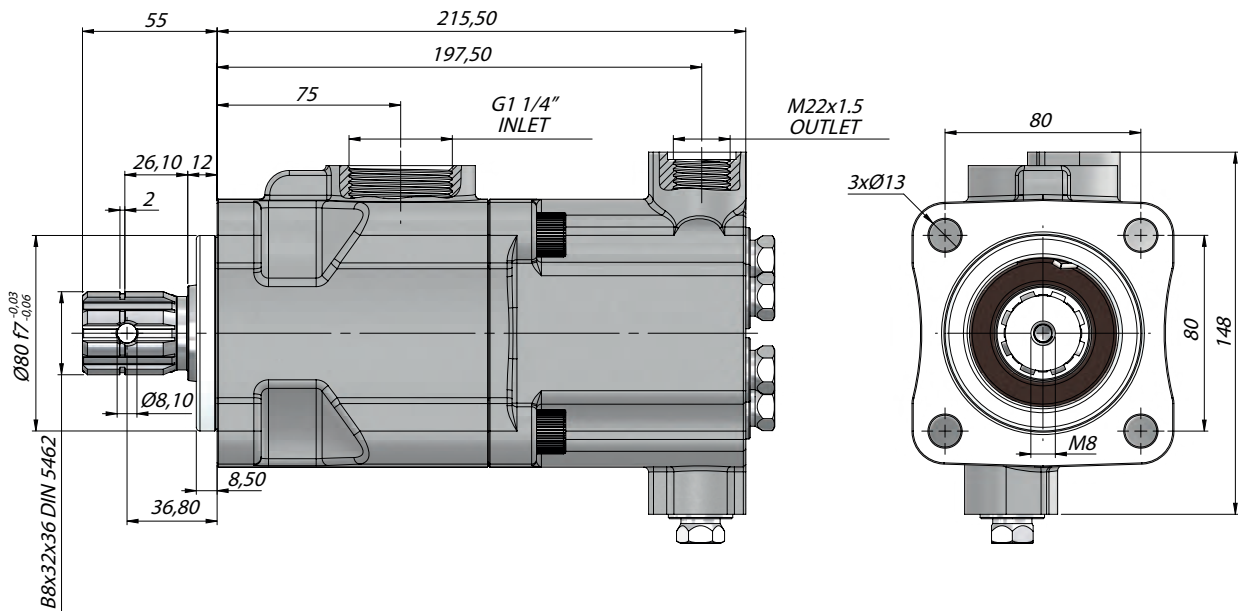


TECHNICAL DATA

6 PISTON 4 HOLES ISO PISTON PUMP



HYDRAULIC SYMBOL



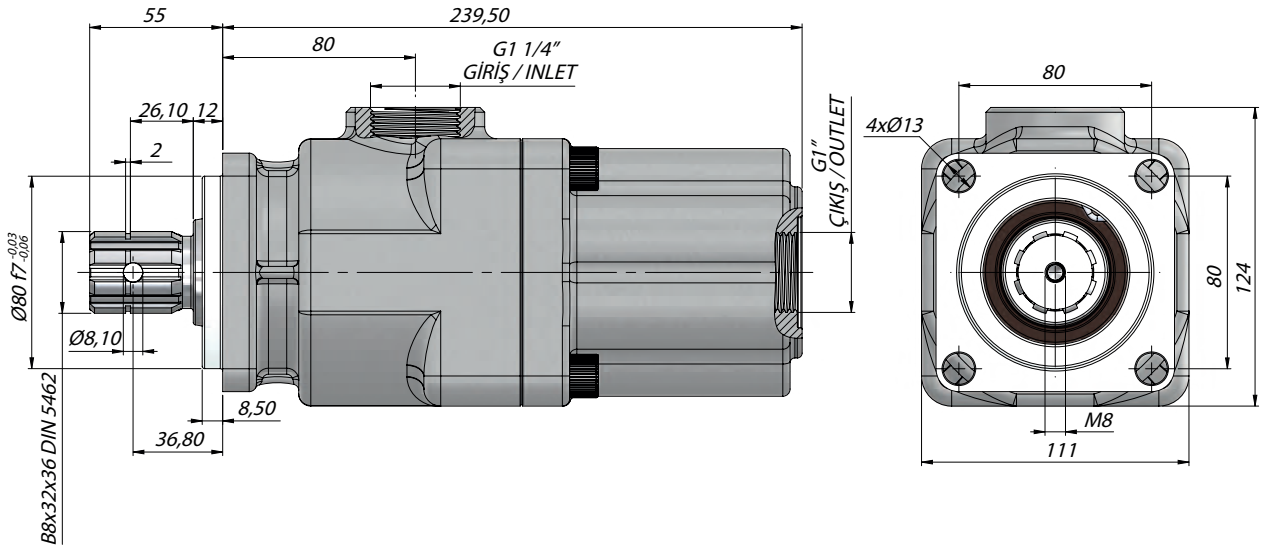
Code	Displacement	Max.Continuous Pressure	Max.Intermittent Pressure	Max.Peak Pressure	Max.Continuous Speed	Minimum Speed
BI-DIRECTIONAL	(cm ³ /rev)	(100%)(BAR)	(20 sec.max.)(BAR)	(6 sec.max.)(BAR)	(RPM)	(RPM)
KH02050260162B-2	26	250	270	300	1800	300
KH02050350162B-2	35					
KH02050410162B-2	41					
KH02050520162B-2	52					

TECHNICAL DATA

8 PISTON HIGH PRESSURE 4 HOLES ISO PISTON PUMP



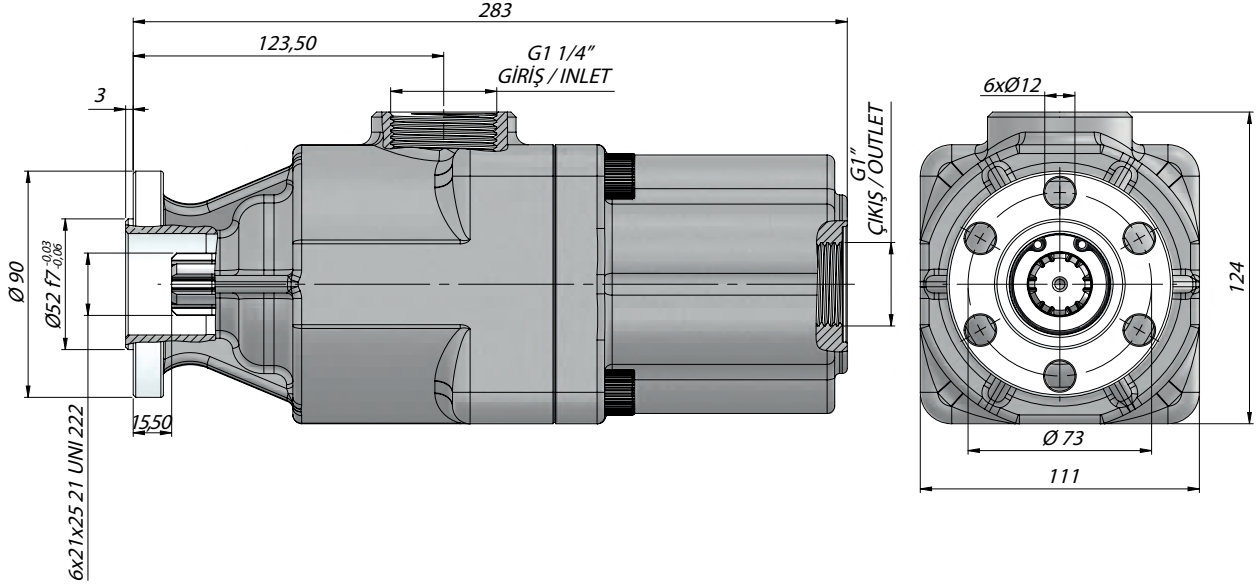
HYDRAULIC SYMBOL



Code	Displacement	Max.Continuous Pressure	Max.Intermittent Pressure	Max.Peak Pressure	Max.Continuous Speed	Min.Speed
BI-DIRECTIONAL	(cm ³ /rev)	(100%)(BAR)	(20 sec.max.)(BAR)	(6 sec.max.)(BAR)	(RPM)	(RPM)
KH08160200152B-2	20	350	370	400	1800	300
KH08160260152B-2	26					
KH08160340152B-2	34					
KH08160420152B-2	42					
KH08160460152B-2	46					
KH08160520152B-2	52					
KH08160550152B-2	55	300	320	350	1500	
KH08160600152B-2	60					

TECHNICAL DATA

8 PISTON HIGH PRESSURE 3 HOLES UNI PISTON PUMP



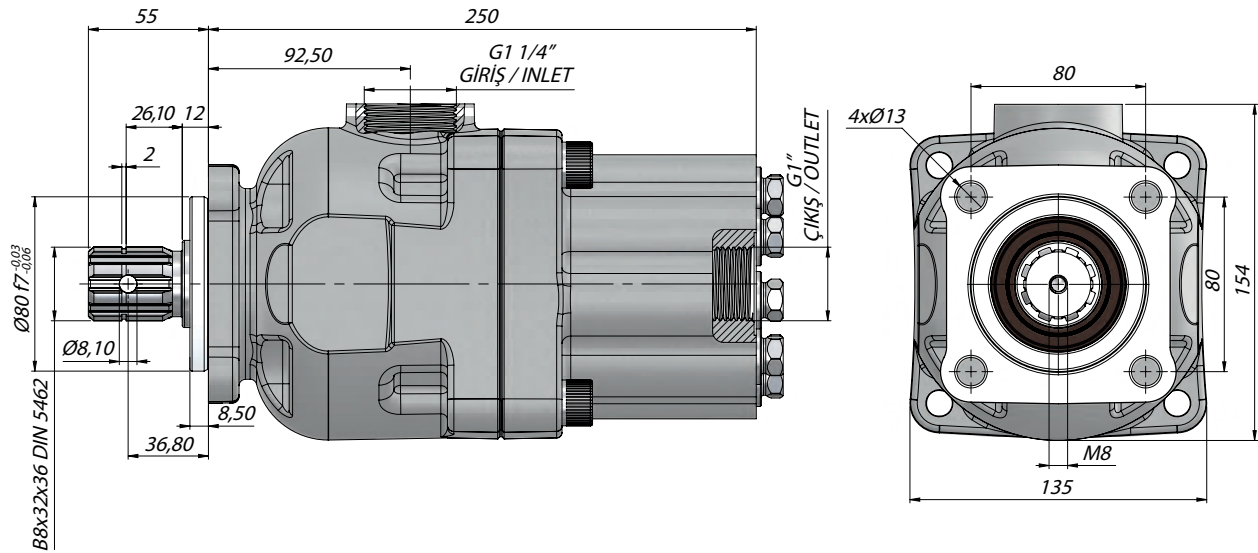
Code	Displacement	Max.Continuous Pressure	Max.Intermittent Pressure	Max.Peak Pressure	Max.Continuous Speed	Min.Speed
BI-DIRECTIONAL	(cm ³ /rev)	(100%)(BAR)	(20 sec.max.)(BAR)	(6 sec.max.)(BAR)	(RPM)	(RPM)
KH08160200252B-2	20	350	370	400	1800	300
KH08160260252B-2	26					
KH08160340252B-2	34					
KH08160420252B-2	42					
KH08160460252B-2	46					
KH08160520252B-2	52					
KH08160550252B-2	55	300	320	350	1500	300
KH08160600252B-2	60					

TECHNICAL DATA

9 PISTON 4 HOLES ISO PISTON PUMP



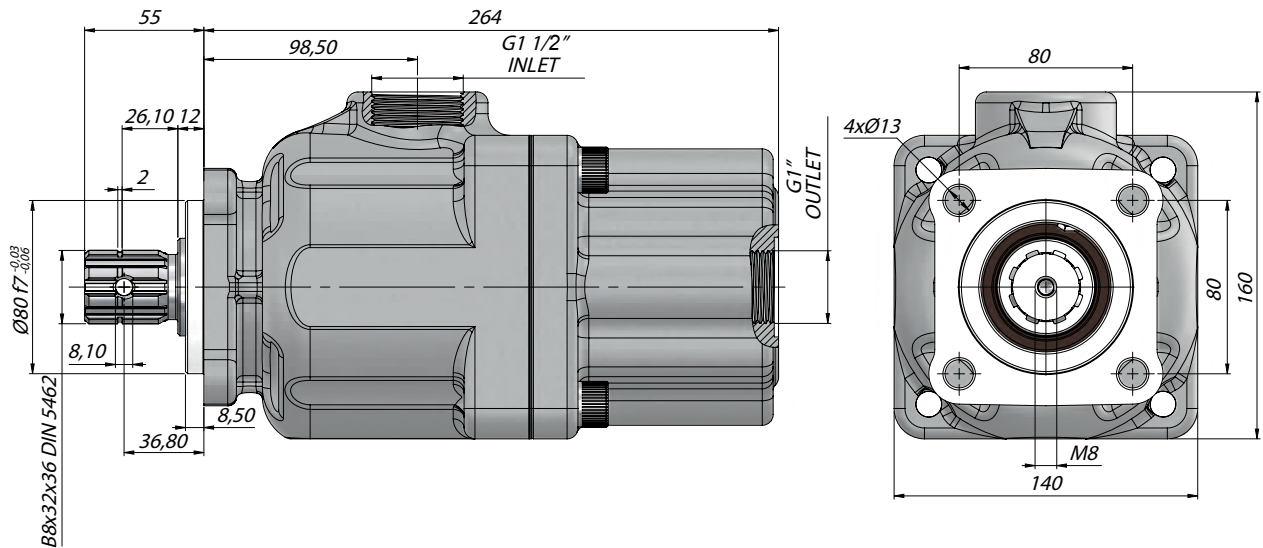
HYDRAULIC SYMBOL



Code	Displacement	Max.Continuous Pressure	Max.Intermittent Pressure	Max.Peak Pressure	Max.Continuous Speed	Minumum Speed
BI-DIRECTIONAL	(cm ³ /rev)	(100%)(BAR)	(20 sec.max.)(BAR)	(6 sec.max.)(BAR)	(RPM)	(RPM)
KH02060600152B-2	60	270	285	300	1500	300
KH02060800152B-2	80					

TECHNICAL DATA

10 PISTON 4 HOLES ISO PISTON PUMP



Code	Displacement	Max.Continuous Pressure	Max.Intermittent Pressure	Max.Peak Pressure	Max.Continuous Speed	Min.Speed
BI-DIRECTIONAL	(cm ³ /rev)	(100%)(BAR)	(20 sec.max.)(BAR)	(6 sec.max.)(BAR)	(RPM)	(RPM)
KH08170600152B-2	60	300	320	350	1500	300
KH08170700152B-2	70					
KH08170800152B-2	80					
KH08170900152B-2	90					
KH08171000152B-2	100					